



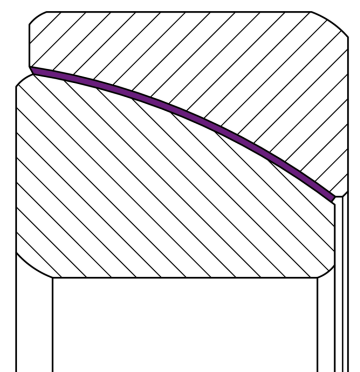
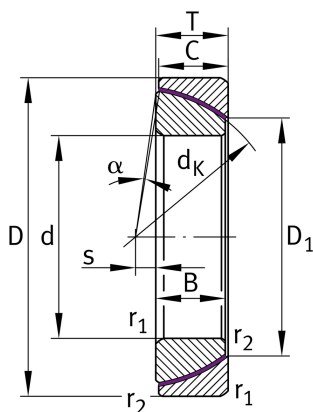
GE35-SW

Spherical plain bearing

Schaeffler ID:
0066516580000

Angular contact spherical plain bearing, maintenance-free, DIN ISO 12240-2, inner ring curved surface with hard chromium coating, open design

Technical information

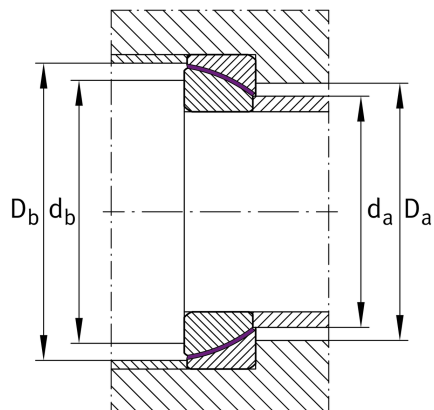


Main Dimensions & Performance Data

d	35 mm	Bore diameter bearing
D	62 mm	Outside diameter bearing
T	18 mm	Height
B	17 mm	Width Inner ring
C_r	236,000 N	Basic dynamic load rating, radial
C_{0r}	393,000 N	Basic static load rating, radial
	0.277 kg	Weight

Dimensions

d_k	56 mm	Ball diameter
D_1	42.4 mm	Bore diameter of housing washer
C	17 mm	Width Outer ring
s	2 mm	Plane Surface Spacing
α	2.1 °	Tilt angle
d_{OT}	0 mm	Bore diameter bearing, upper tolerance
d_{UT}	-0.012 mm	Bore diameter bearing, lower tolerance
D_{OT}	0 mm	Outside diameter, upper tolerance
D_{UT}	-0.016 mm	Outside diameter, lower tolerance
T_{OT}	0.25 mm	Height, upper tolerance
B_{OT}	0 mm	Width inner ring, upper tolerance
T_{UT}	-0.25 mm	Height, lower tolerance
B_{UT}	-0.24 mm	Width inner ring, lower tolerance
C_{OT}	0 mm	Width outer ring, upper tolerance



Mounting dimensions

$r_{1\text{min}}$	1 mm	Edge Spacing
$r_{2\text{min}}$	0.3 mm	Edge Spacing
$d_{a\text{max}}$	41.1 mm	Connection measure Inner ring
$D_{b\text{min}}$	57 mm	Connection diameter
$d_{b\text{max}}$	50 mm	Connection measure Inner ring
$D_{a\text{min}}$	47 mm	Housing Connection Diameter

Temperature range

T_{min}	-50 °C	Operating temperature min.
T_{max}	150 °C	Operating temperature max.